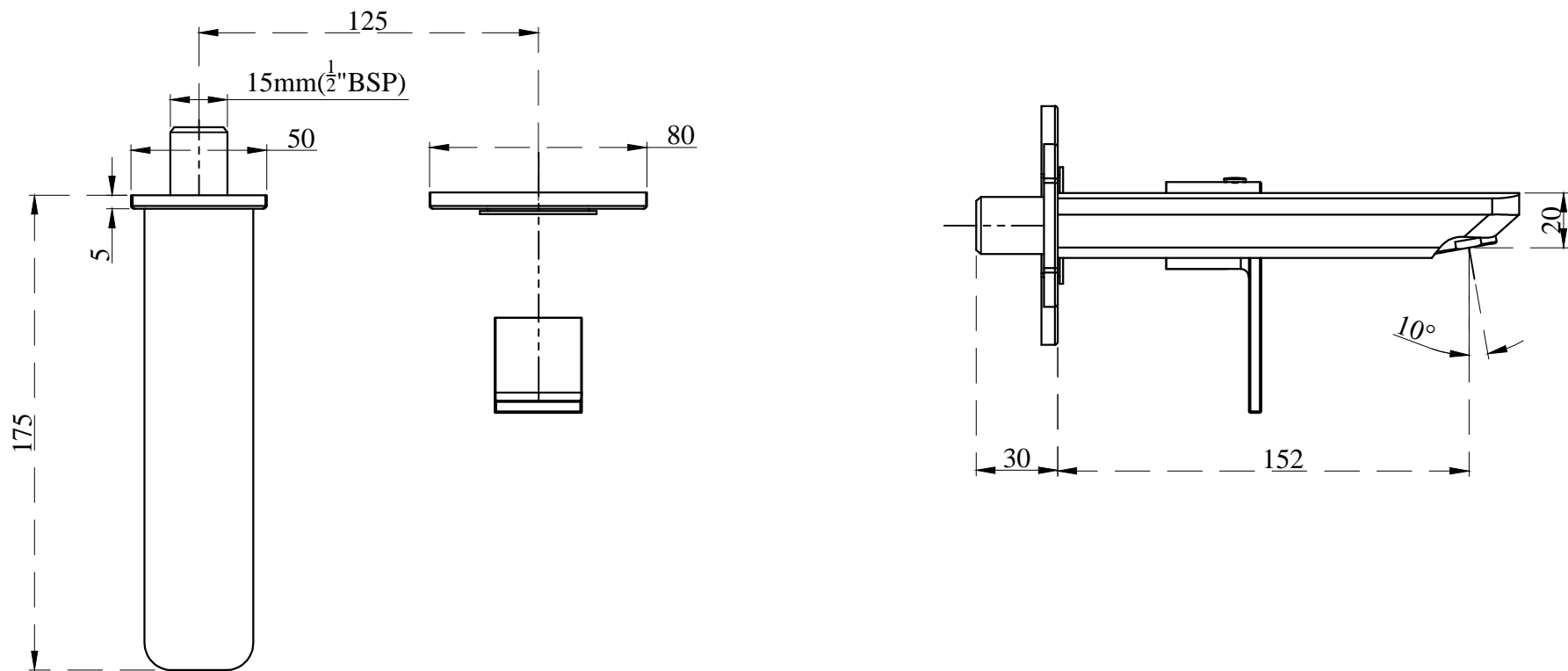


Technical Drawing
WINSLET F1099652 Wall mounted basin spout and operating
lever consisting of exposed part

CERA



All dimension are in mm