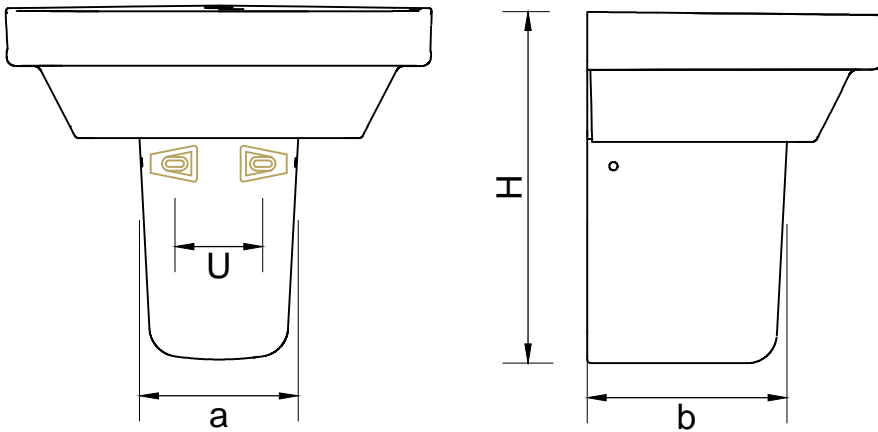
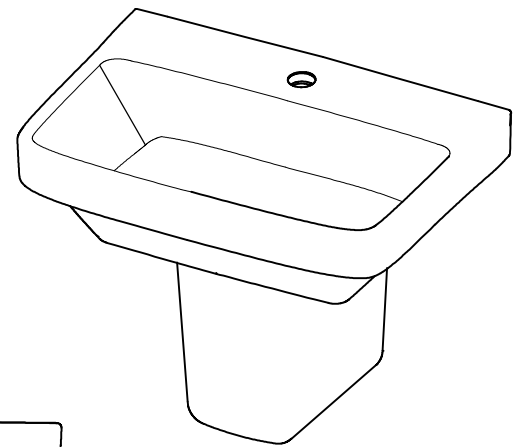
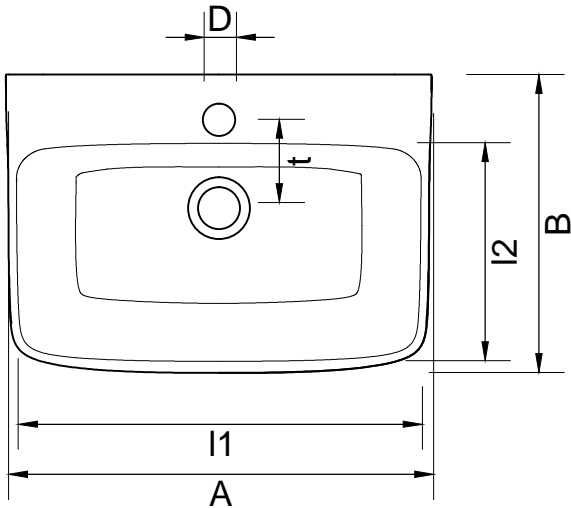
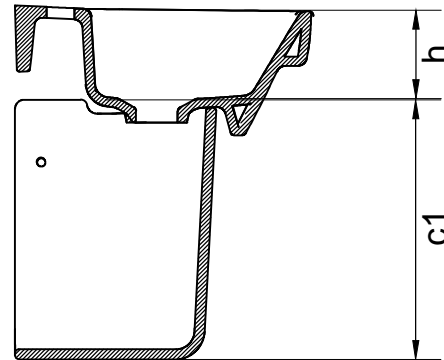
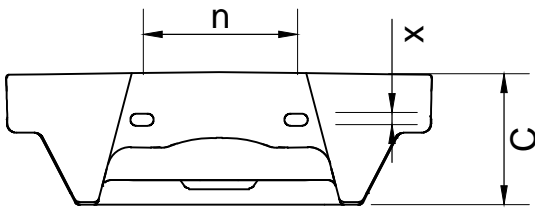


ALL DIMENSION ARE IN MM



A	B	C	D	H	h	l1	l2	n	t	U	X	a	b	c1
450	320	130	Ø27	390	100	425	220	165	100	95±5	25X15	185	220	285

CERA CERA SANITARYWARE LTD, KADI		Scale : N.T.S												
Division Sanitary ware		Product Code :- S2040158+S2090130												
THIS DRAWING IS THE PROPERTY OF M/S CERA SANITARYWARE LIMITED. 9-GIDC, KADI. & SHOULD NOT BE REPRODUCED OR COPIED IN ANY FORM WITHOUT PRIOR WRITTEN PERMISSION.		MSD :-												
Drawn By	Chintan Gajjar	FINISH :-												
Checked By	Dhirendra Singh	Date :- 24.08.2020												
Approved By		Surface Area :- --- dm ²		Rev.No	Alteration		Date							
Title :- CALIFORNIA WALL HUNG WASH BASIN WITH CALIFORNIA HALF PEDESTAL		Dwg.No.	Range	Dwg Type	Material	Weight(gm)	Rev.No	Pages						
		CALIFORNIA	CAD	CERAMIC	1 of 1						