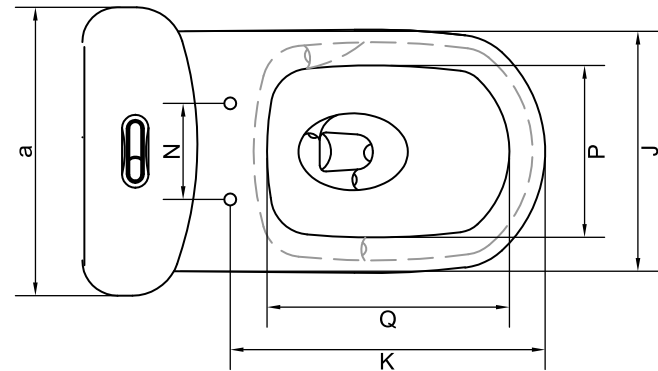
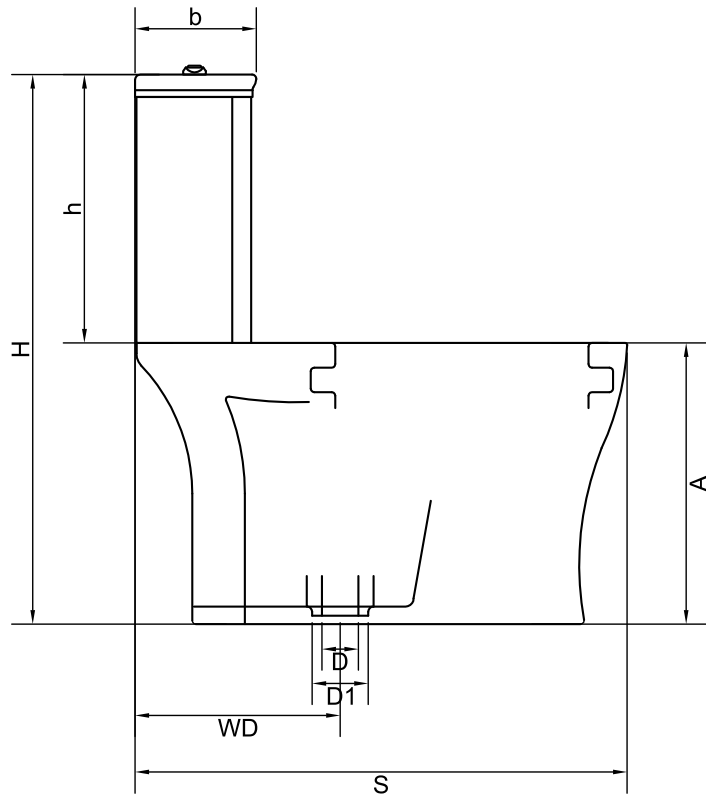


Technical Drawing
CLANG S1013145 One Piece EWC



A	D	D1	H	J	K	N	P	Q	S	WD	a	b	h
400	50	80	770	430	475	145	250	365	700	290±10	430	175	390

Note: All dimension are in mm