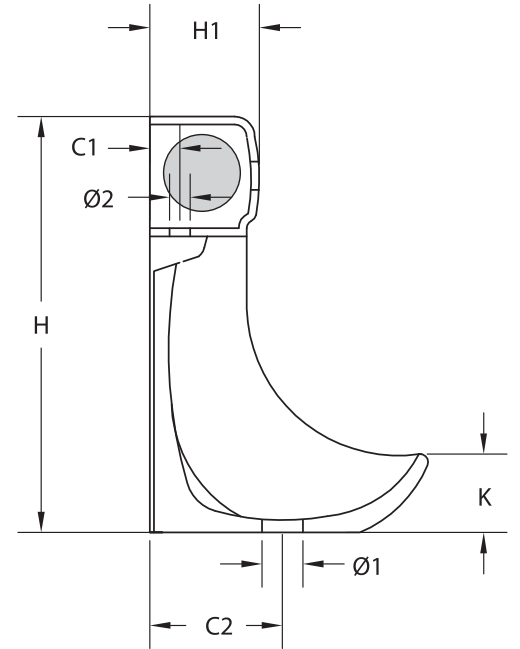
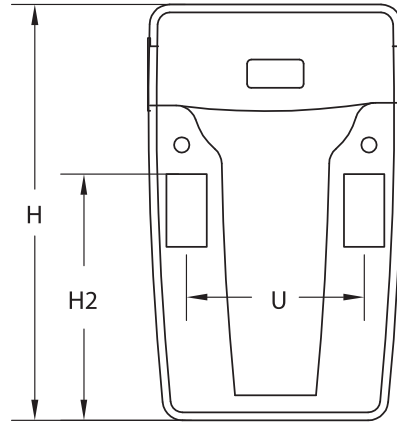
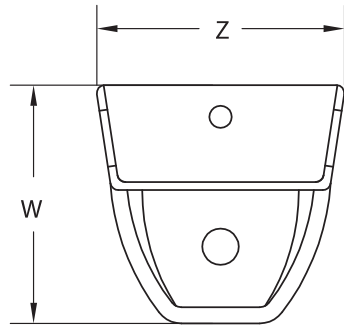


5025 Cicily urinal with integrated EFS



H	H1	H2	K	Ø1	Ø2	C1	C2	U	W	Z
525	132	315	95	46	31	55	135	220	295	315