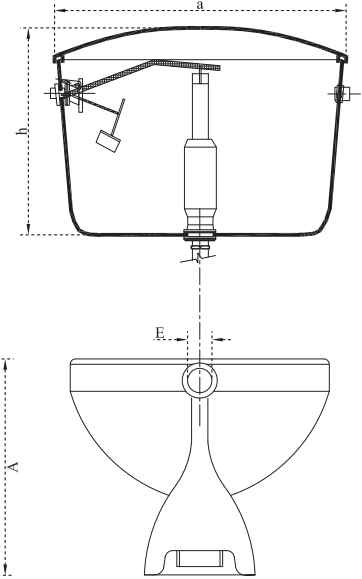
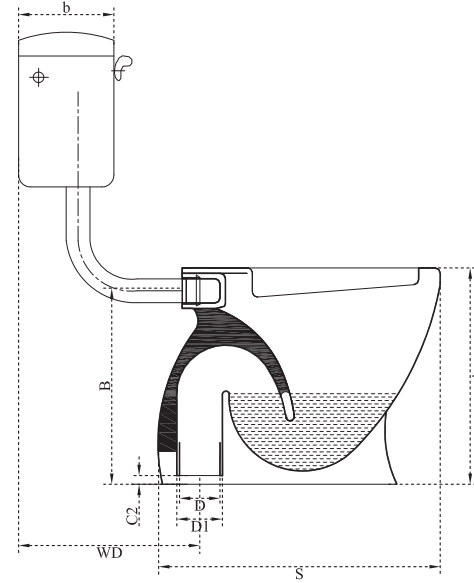
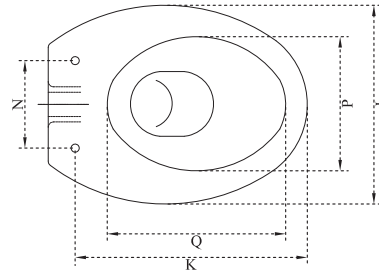


3145 Camelia



S trap	A	B	C2	D	D1	E	J	K	N	P	Q	S	WD	a	b	h
	400	350	10	80	102	50	390	450	165	295	325	540	300 ^{±10}	510	230	340

*Wall distance vary depending on the length of cistern bend pipe.