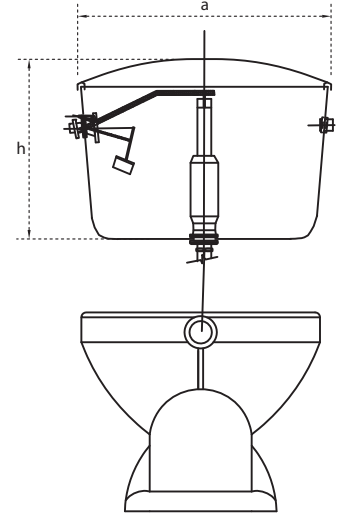
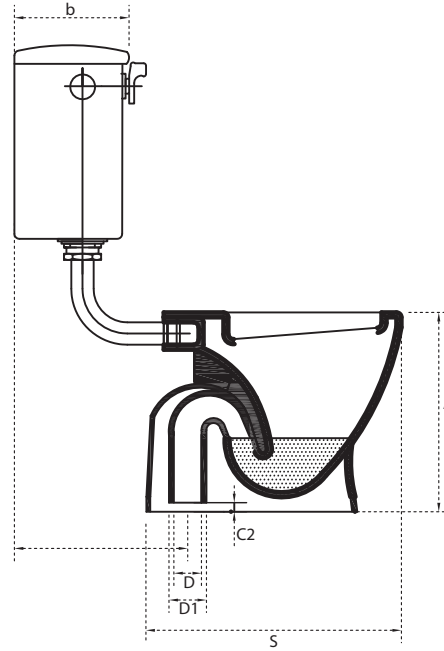
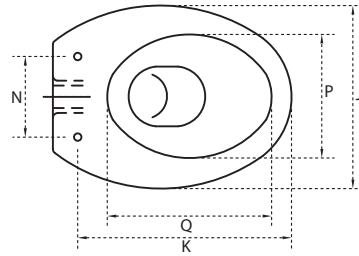


2836 EWC 'S' Concealed



S trap

| A | B | C2 | D | D1 | J | K | N | P | Q | S | WD | a | b | h |
|-----|-----|----|----|-----|-----|-----|-----|-----|-----|-----|--------------------|-----|-----|-----|
| 395 | 355 | 20 | 80 | 102 | 360 | 430 | 165 | 265 | 325 | 565 | 290 ⁺¹⁰ | 510 | 230 | 340 |

*Wall distance vary depending on the length of cistern bend pipe.